

## FAQ: 3-SPEED VENTILATION CONTROL

For a general explanation about Velbus, please consult the installation guide on [www.velbus.eu](http://www.velbus.eu).

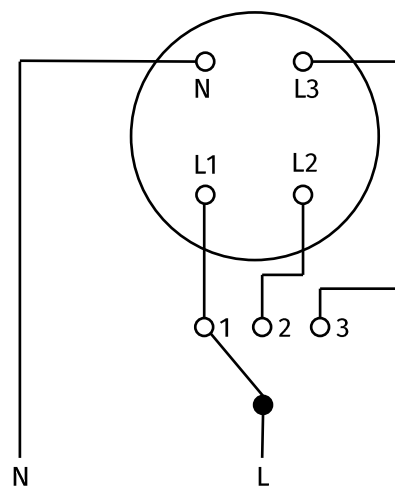
Always use the latest version de Velbuslink, freely downloadable on [www.velbus.eu](http://www.velbus.eu) > Support > Downloads.

### 1 QUESTION

A 3-speed ventilation needs to be controlled by Velbus. It must be avoided that two contacts (speeds) might be activated at the same time.

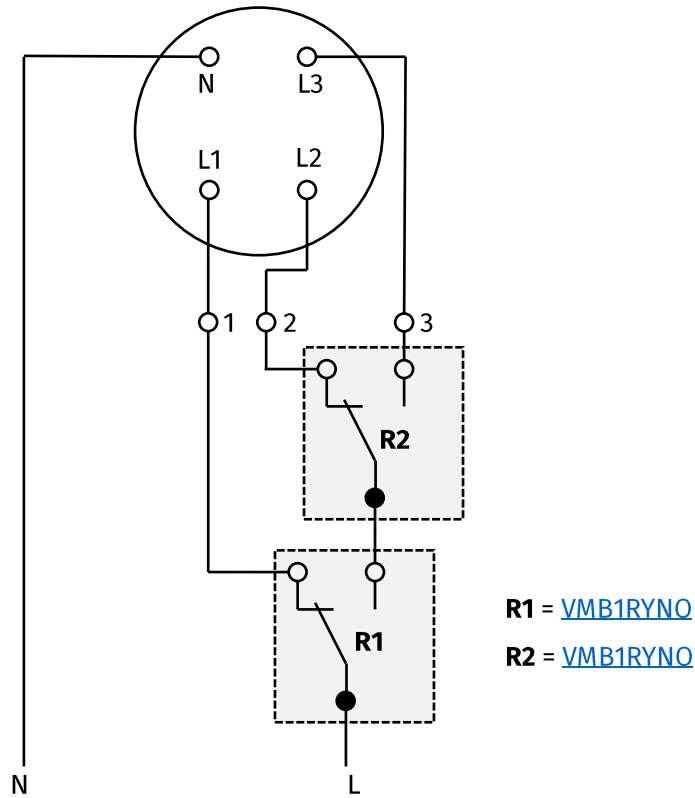
### 2 ANSWER

We start from the following principle diagram for the ventilation (an “always on” system with 3 speeds):



Using Velbus relays, this looks as follows (cfr. diagram below). We use two [VMB1RYNO](#) switch-over relays because these are hardware secured against the simultaneous closure of the NC and NO contacts.

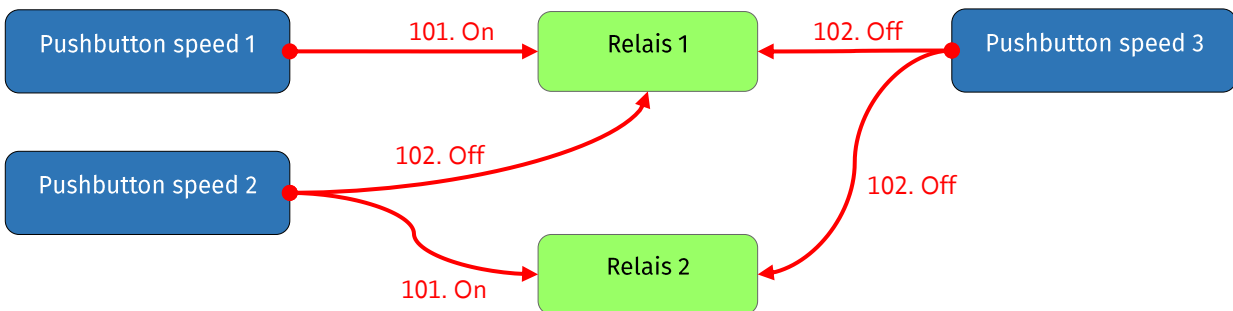
**Caution!** Adapt this solution to the specific ventilation system you are working with. This is only a general example that might not work as is, or even have adverse effects, in your specific case.



This functions as follows:

	R1	R2
Speed 1	closed	(open or closed)
Speed 2	open	closed
Speed 3	open	open

For a pushbutton control, the following actions must be programmed in Velbuslink:



**Tip:** to control the different speeds with a single pushbutton, you can use the “multi” mode. This can be found in the configuration settings of the pushbutton modules, tab “Mode”.